

Multi-functional dining chair

Installation and Operation Instructions

For the sake of your baby's safety, be aware of the following caveats:

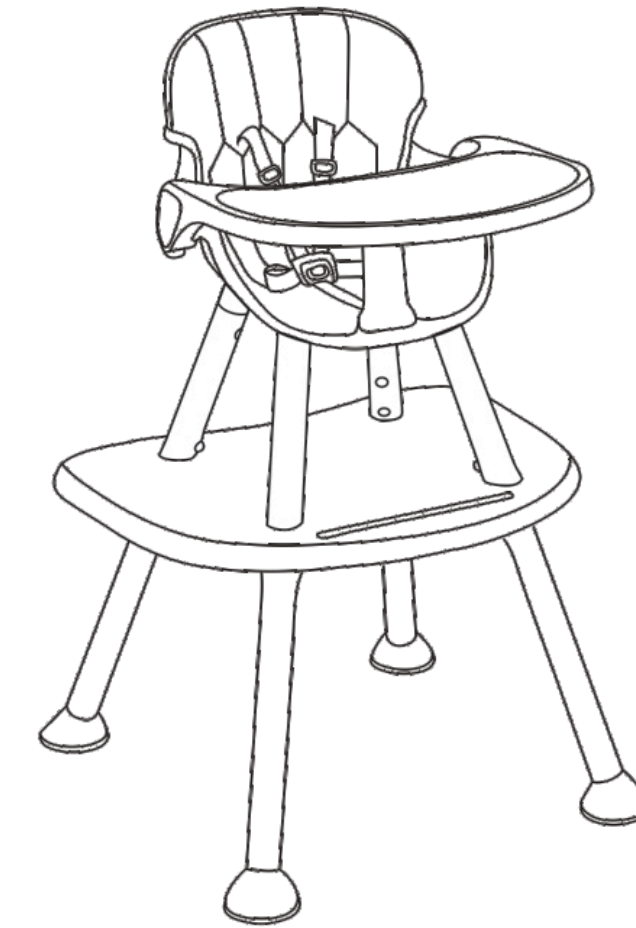
- Products to be assembled by adults.
- Make sure all locking devices are locked before using this chair.
- This chair should be in a flat, barrier-free place to use, to ensure that the chair in the normal use of non-tipping, prohibited in the stairs, doorsill, steps near the use of.
- Use a high chair only if darling can sit and stand on her own feet.
- Before making any adjustments, make sure your baby doesn't have access to any moving parts.
- The maximum load bearing capacity of this product is 25 kg.
- Age range: 6 Months–3 years.

Usage considerations

- Before use, please check if all parts are installed in place, fasten.
- Dining chair use when the caregiver can not leave, do not close to the fire.
- Dining chair adjustment, must be operated by the child's caregiver.
- At any time, children should wear a properly fixed and coordinated safety harness.
- Be careful not to let the child climb out of the restraint bar or stand on the seat.

Maintenance instructions

- To ensure your baby from accidental injury, please always check and maintain the dining chair
- Cloth sets clean, please use a brush and other cleaning equipment to clean stains, other parts of the cleaning, please use household soap or neutral detergent
- To regularly check if any parts are loose, damaged or the stitches are broken, if necessary, please replace the damaged parts
- For disassembly, please follow the instructions carefully, avoid unnecessary damage



Thank you for purchasing the multi-functional dining chair

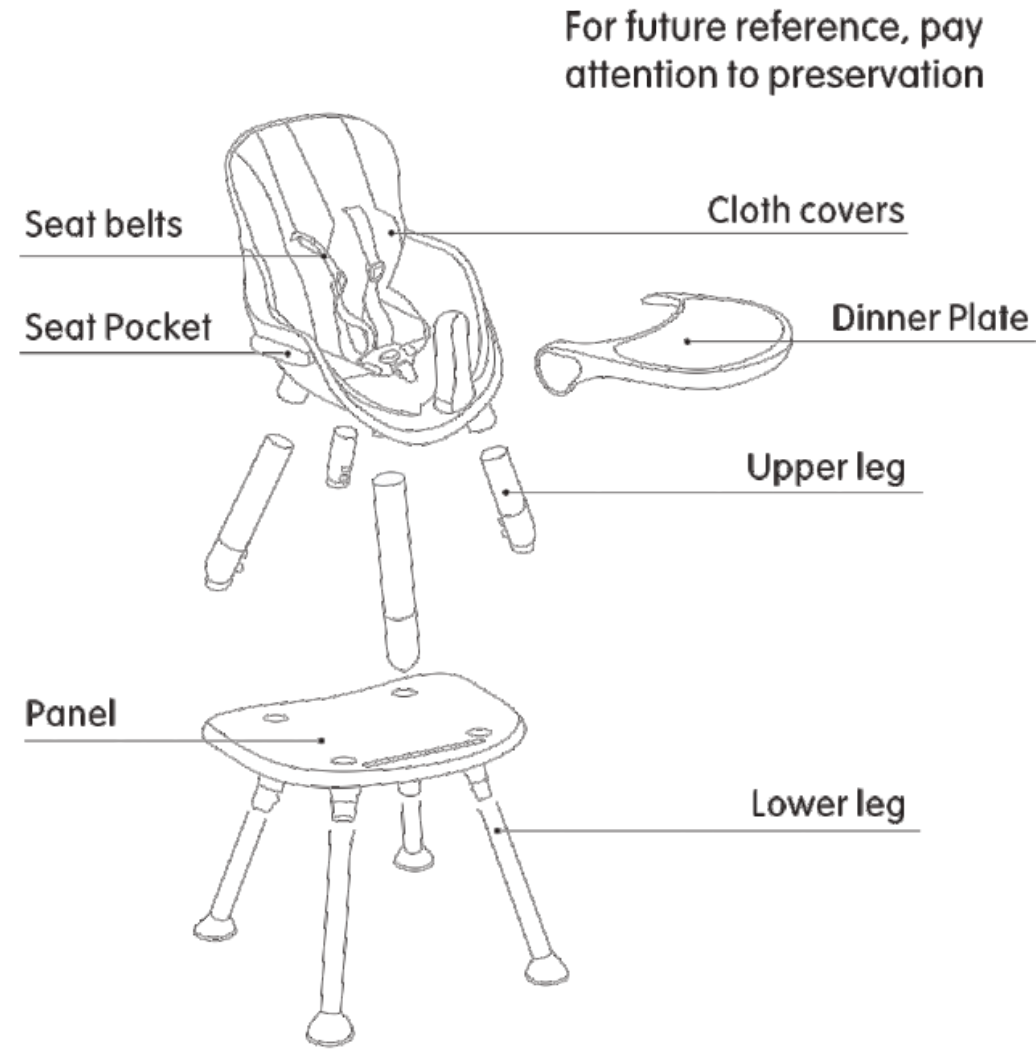
The illustrations used in this manual are for the purpose of explaining the operation method and product structure of the product. When there is a little difference between the real object and the drawing, please take the real object as the criterion. In order to improve the quality of the product, we may change some of the structure and appearance of the product without notice, please understand.



Warning

Please read the instruction manual before using this product. It will tell you the correct operation method and installation procedure to avoid damaging the product or hurting your child. This manual shall be properly kept and easily accessible.

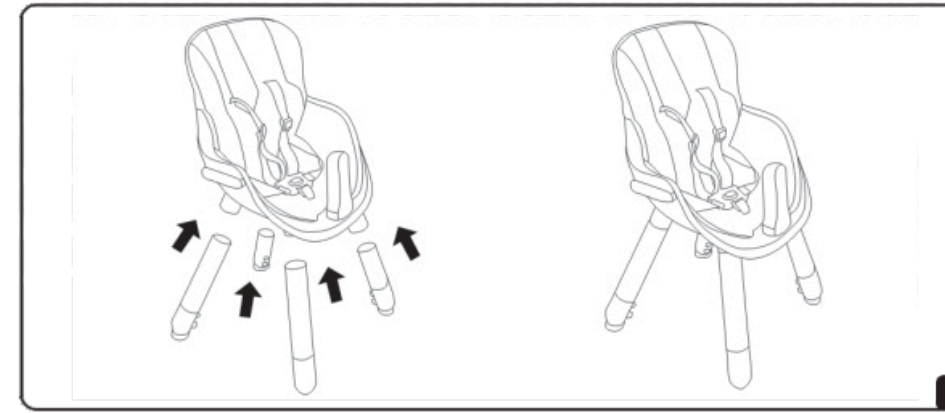
Part name



Description of boxed components

No	Part name	Purpose	Units	quantities
1	Cloth cover	Darling is more comfortable for the backrest	Set	1
2	Seat belt	Prevent Slippage	Set	1
3	Seat pocket	For the baby seat use	Of the project	1
4	Upper leg	For the support seat pocket	Root	4
5	Panel	For the connection of the upper leg	Block	1
6	Lower leg	For the support panel	Root	4
7	Dinner plate	For the convenience of the baby meal	Of the project	1
8	Instruction	For the guidance of the product installation	Of the ordinance	1

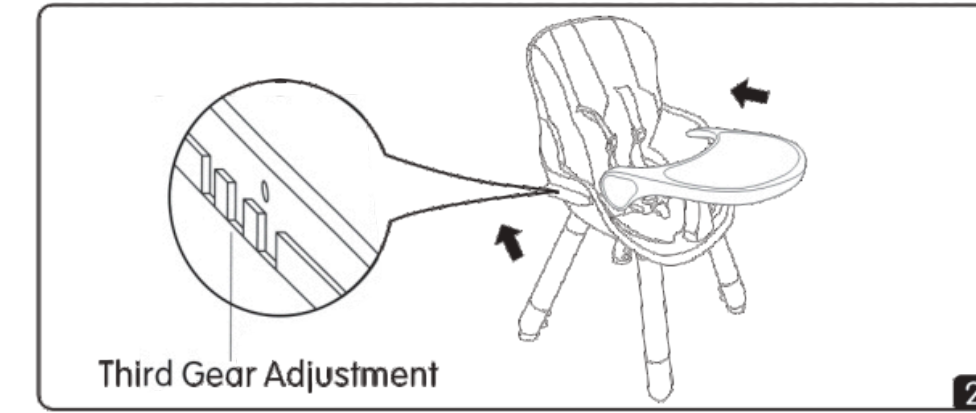
Installation instructions



1.Upper leg mount

The four upper legs are respectively mounted on the four pillars under the seat pocket. Note that the leg holes are aligned with the strut buttons, and the strut buttons pop out of the strut holes. Dining chair installation is completed, check whether the four legs are installed in place to ensure that they will not be pulled out. The cloth cover of the dining chair can be disassembled and used, and the safety belt needs to be installed on the corresponding hole of the seat pocket.

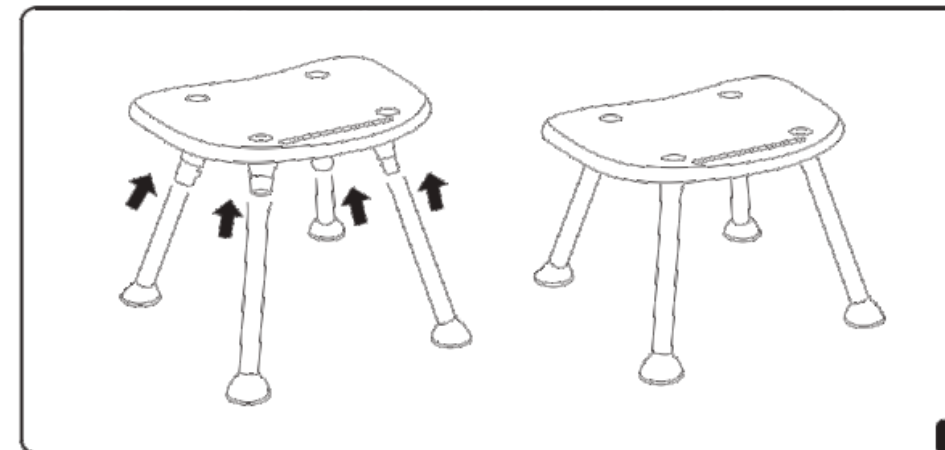
Installation instructions



2.Tray installation

Hold down the gray buttons on both sides of the tray and align the slots on both sides of the tray with the slide on both sides of the seat pocket. After entering the slide, release the buttons on both sides of the tray. Push the tray hard on both sides at the same time to hear the clicking sound indicating that the tray is stuck in place. Note: the tray can be adjusted three stalls, according to the size of the baby can adjust the appropriate stalls.

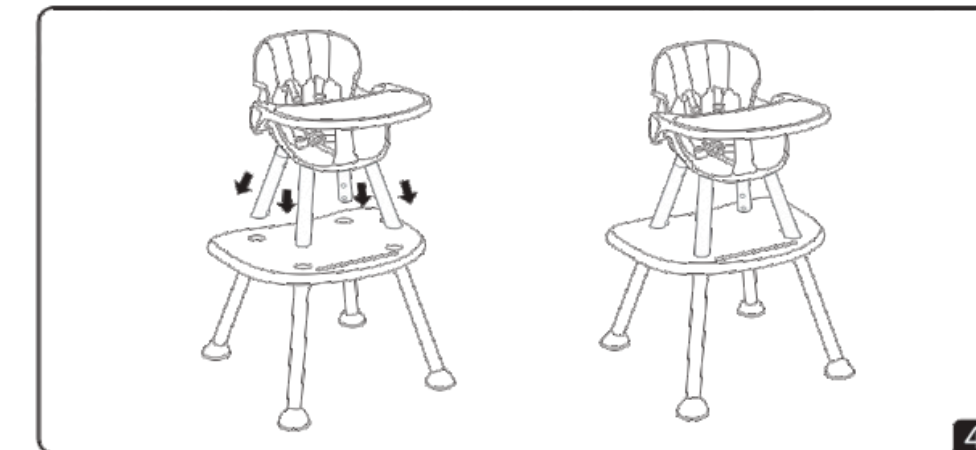
Installation instructions



3.Lower leg mount

Attach the four lower legs to each of the four pillars of the panel. Note: The Hole in the leg should be aligned with the strut button, and the button on the strut should pop out of the hole in the strut. After installation, check whether the four legs are in place to ensure that they will not be pulled out.

Installation instructions



4.Chair assembly installation

Point the four legs of the chair at the four buttons and press down hard on the chair. The sound of clicking means that the chair is in place and the dining chair is installed. Note: After installation, check whether the four upper legs are in place to ensure that they will not be pulled out.